

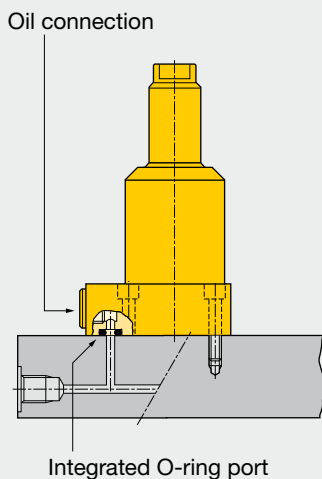
Pull cylinders - Lower flange models

Shown: PLSS-52, PLSS-121



PL series

The lower flange cylinders are designed for integrated manifold mounting solutions. Hydraulic connections are made through SAE or BSPP oil connection or the standard integrated O-ring ports.



Minimal mounting height

...when space is at a premium

- Guided linear plunger movement
- Flexible design allows for manifold or threaded port connection
- Low profile mounting style allows body to be below mounting surface
- Internal plunger thread allows easy mounting of attachments
- Easiest mounting preparation in the line
- Easy to machine fixture hole: does not require tight tolerances
- Easy assembly: 3 or 4 mounting bolts
- Double oil connection: threaded port or manifold mount.

Product selection

Cylinder capacity		Stroke	Model number	Cylinder effective area		Oil capacity	
kN		mm		cm ²		cm ³	
Pull	Push			Pull	Push	Pull	Push
▼ Single acting							
5,6	-	22,6	PLSS-52	1,81	-	4,10	-
13,3	-	27,9	PLSS-121	4,06	-	11,47	-
▼ Double acting							
6,3	13,3	22,6	PLSD-52	1,81	3,81	4,10	8,69
11,2	28,0	22,1	PLSD-92	3,16	8,06	6,88	17,70
14,3	27,4	27,9	PLSD-121	4,06	7,94	11,47	22,94
43,5	81,9	30,5	PLSD-352	12,39	23,74	37,20	71,28

Note: - Call Enerpac to order models with SAE oil connections.
- Pull forces for single-acting cylinders reduced due to spring force.

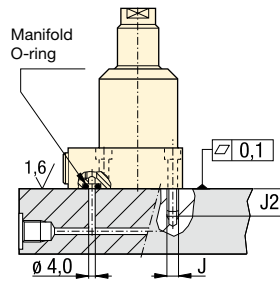
Dimensions in mm []

Model number	A	B	C1	D	D1	D2	E	E1	F	H
					∅		∅	∅		
▼ Single acting										
PLSS-52	128,8	106,2	24,9	34,8	54,1	57,2	16,0	15,0	13,0	14,0
PLSS-121	160,3	132,3	25,4	47,5	66,5	73,2	22,1	20,8	17,3	15,5
▼ Double acting										
PLSD-52	128,8	106,2	24,9	34,8	54,1	57,2	16,0	15,0	13,0	14,0
PLSD-92	137,9	116,1	24,9	47,8	70,1	54,1	24,9	23,6	17,8	12,4
PLSD-121	160,3	132,3	25,4	47,5	66,5	73,2	22,1	20,8	17,3	15,5
PLSD-352	204,2	173,5	24,9	79,8	100,1	88,9	38,1	36,1	28,7	12,4

Installation dimensions in mm

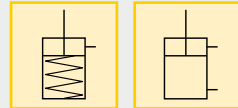
Pull force kN	Mounting thread J	Minimum depth J2	Manifold O-ring ¹⁾ ARP numbers or inside Ø x thickness
6,3	M6 x 1	16,5	568-011
11,2	M6 x 1	15,0	4,32 x 3,53
14,3	M8 x 1	20,3	568-011
14,5	M10 x 1,25	18,8	4,32 x 3,53

¹⁾ O-ring material: polyurethane, 92 Durometer

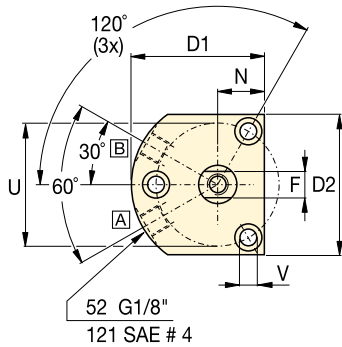


- Pull force: 5,6 - 43,5 kN**
- Push force: 13,3 - 81,9 kN**
- Stroke: 22,1 - 30,5 mm**
- Pressure: 35 - 350 bar**

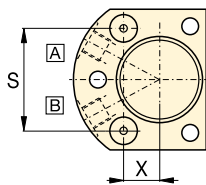
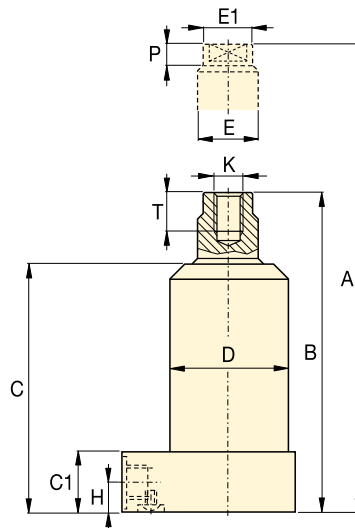
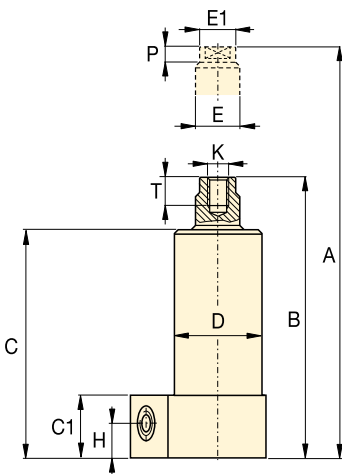
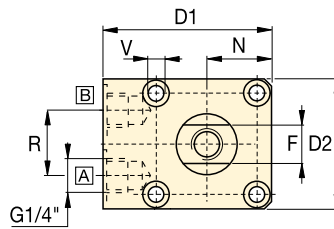
- E** Cilindros de tracción
- F** Verins traction
- D** Zugzylinder



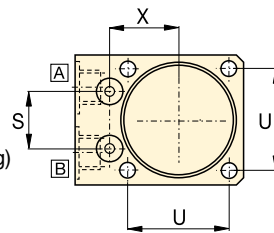
-52, -121




-352, -92



A = Pull
B = Push (venting)




Options

Accessories  86 ▶

Collet-Lok® push cylinders  18 ▶

Swing cylinders  22 ▶

Sequence valves  152 ▶

Important

Single-acting cylinders can be vented through the manifold port.

The lower flange pull cylinder has a bolt pattern which is identical to its upper flange equivalent, enabling interchangeability.

In case there is a risk of machining coolants and debris being inhaled via the breather vent, it is recommended to pipe this port to an area outside the fixture that is protected from machining coolants and debris.

	K	N	P	R	S	T	U	V	W	X	kg	Model number
												Single acting ▼
	M8 x 1,25	19,1	5,8	-	41,0	15,7	50,0	6,9	66,0	14,4	1,1	PLSS-52
	.500-20 UNF	25,1	9,4	-	52,0	19,1	63,5	8,8	85,9	18,2	1,6	PLSS-121
												Double acting ▼
	M8 x 1,25	19,1	5,8	-	41,0	15,7	50,0	6,9	66,0	14,4	1,1	PLSD-52
	M10 x 1,5	26,4	10,4	25,9	23,7	16,0	41,9	6,6	75,9	28,7	1,6	PLSD-92
	.500-20 UNF	25,1	9,4	-	52,0	19,1	63,5	8,9	85,8	18,2	2,0	PLSD-121
	M16 X 2	43,4	12,9	25,9	34,4	31,0	70,1	10,9	96,5	41,6	5,6	PLSD-352