

Pull cylinders - Threaded body models

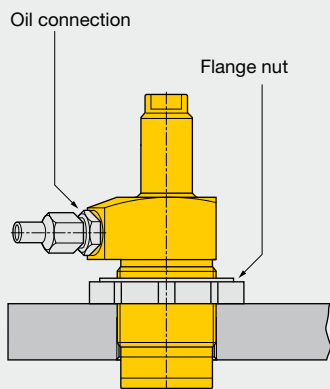
Shown: PTSS-52, PTSD-121



PT series

The threaded body pull cylinders can be bolted to the fixture. This allows easy installation or removal of the unit and does not require machined fixture holes.

The cylinder is adjusted to the appropriate height, and then locked in place using a flange nut (□86).



■ Threaded body pull cylinder with modified clamp arm, mounted on a frame-straightening fixture.



Threaded directly into the fixture

...can be secured at any height

- Guided linear plunger movement
- Threaded port connection
- Internal plunger thread allows easy mounting of attachments
- Simple mounting preparation
- Easy installation and removal
- Greatest flexibility in fixture design.

Product selection

Cylinder capacity		Stroke	Model number	Cylinder effective area		Oil capacity	
kN Pull	kN Push	mm		cm ² Pull	cm ² Push	cm ³ Pull	cm ³ Push
▼ Single acting							
5,6	-	22,6	PTSS-52	1,81	-	4,10	-
13,3	-	27,9	PTSS-121	4,06	-	11,47	-
▼ Double acting							
6,3	13,3	22,6	PTSD-52	1,81	3,81	4,10	8,69
11,2	28,0	22,1	PTSD-92	3,16	8,06	6,88	17,70
14,3	27,4	27,9	PTSD-121	4,06	7,94	11,47	22,94
43,5	81,9	30,5	PTSD-352	12,39	23,74	37,20	71,28

Note: - Call Enerpac to order models with SAE oil connections.
- Pull forces for single-acting cylinders reduced due to spring force.

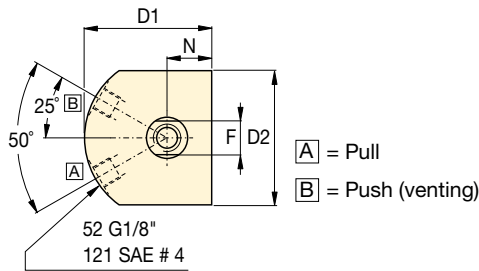
Dimensions in mm []

Model number	A	B	C1	D	D1	D2	E
▼ Single acting							
PTSS-52	128,8	106,2	24,9	M35 x 1,5	47,8	37,8	16,0
PTSS-121	160,3	132,6	25,4	1.875-16 UN	60,5	50,8	22,1
▼ Double acting							
PTSD-52	128,8	106,2	24,9	M35 x 1,5	47,8	37,8	16,0
PTSD-92	130,0	108,0	30,2	M48 x 1,5	62,7	48,3	24,9
PTSD-121	160,3	132,6	25,4	1.875-16 UN	60,5	50,8	22,1
PTSD-352	196,1	165,6	32,0	M80 x 2	88,4	80,0	38,1

Installation dimensions in mm

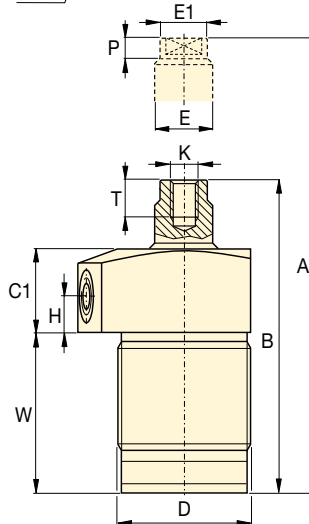
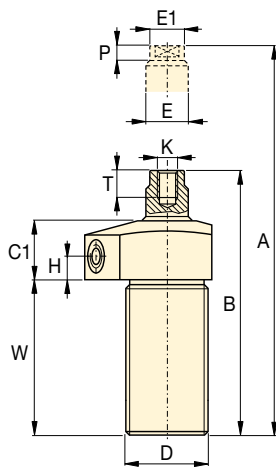
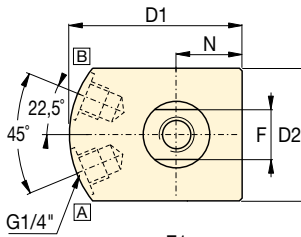
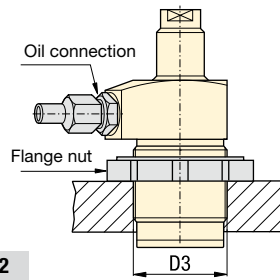
Pull force kN	Fixture hole thread size D3
6,3	M35 x 1,5
11,2	M48 x 1,5
14,3	1.875-16 UNF
43,5	M80 x 2

-52, 121



[A] = Pull
[B] = Push (venting)

-92, -352



Accessory chart

Model number	Mounting flange Sold separately [87]	Flange nut Sold separately [86]
--------------	--	---------------------------------------

▼ Single acting

PTSS-52	MF-352	FN-352
PTSS-121	MF-481	FN-811

▼ Double acting

PTSD-52	MF-352	FN-352
PTSD-92	MF-482	FN-482
PTSD-121	MF-481	FN-481
PTSD-352	MF-802	FN-802

E1	F	H	K	N	P	T	W	kg	Model number
∅									
Single acting ▼									
15,0	13,0	9,7	M8 x 1,25	19,1	5,8	15,7	66,0	1,1	PTSS-52
20,8	17,3	9,7	.500-20 UNF	25,4	9,7	19,1	85,9	1,6	PTSS-121
Double acting ▼									
15,0	13,0	9,7	M8 x 1,25	19,1	5,8	15,7	66,0	1,1	PTSD-52
23,6	17,8	13,0	M10 x 1,5	24,1	10,4	16,0	62,7	2,0	PTSD-92
20,8	17,3	9,7	.500-20 UNF	25,4	9,7	19,1	85,9	1,6	PTSD-121
36,1	28,7	13,0	M16 x 2,00	39,9	13,0	31,0	81,8	4,7	PTSD-352

Pull force: 5,6 - 43,5 kN

Push force: 13,3 - 81,9 kN

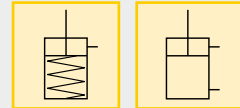
Stroke: 22,1 - 30,5 mm

Pressure: 35 - 350 bar

E Cilindros de tracción

F Verins traction

D Zugzylinder



Options

Accessories

[86]



Collet-Lok® swing cylinders

[18]



Swing cylinders

[22]



Sequence valves

[152]



Important

Single-acting cylinders can be vented through the manifold port.

In case there is a risk of machining coolants and debris being inhaled via the breather vent, it is recommended to pipe this port to an area outside the fixture that is protected from machining coolants and debris.