

3-way directional manual control valves *Application & selection*

Shown: VM-2, VM-3



V-series

Manual operated 3-way, 2-position and 3-way, 3-position directional control valves for operation of single-acting cylinders. Remote mount valves include return line kit for connecting the valves to pump reservoir.

Application

Pump mounted valves provide centralized control of pump output for cylinder cycling. Remote mounted at any convenient point along the system where control of cylinders is needed.

■ Four VC-15 Enerpac manual valves mounted on fixture to give independent control of several hydraulic circuits.



Reliable control of single-acting cylinders

- Directional control valves provide advance/hold/retract operation for use with single-acting cylinders
- Remote or pump mounting on most Enerpac pumps
- Return line kit included with remote valves
- Available "locking" option on VC and VM-series valves for load-holding applications.

Select the required center position

Non-locking

- Use in simple clamping circuits. Has interflow between ports when shifted.

Closed center

- For multiple valve and cylinder operation. All ports blocked in the center position.

Locking center

- For positive load holding without loss of pressure. Cylinder travel can only resume by shifting valve from hold position.

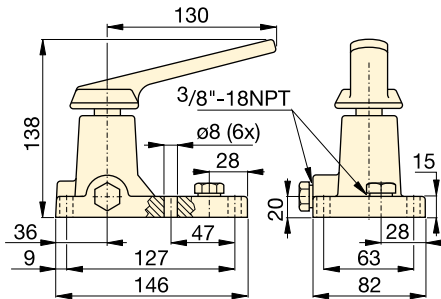
Tandem center

- For one or multiple cylinder operation. Pump flow is directed back to tank in the center position.

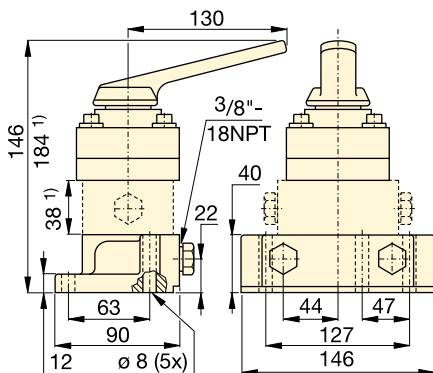
Product selection

Valve type	Valve mounting location	Model number	Hydraulic symbol
▼ Manual 3-way, 2-position (3/2)			
–	Pump	VM-2	
▼ Manual 3-way, 3-position (3/3)			
Tandem center	Pump	VM-3	
Tandem center	Remote	VC-3	
▼ Manual 3-way, 3-position (3/3)			
Tandem center, locking	Pump	VM-3L	
Tandem center, locking	Remote	VC-3L	
Closed center	Remote	VC-15	
Closed center, locking	Remote	VC-15L	

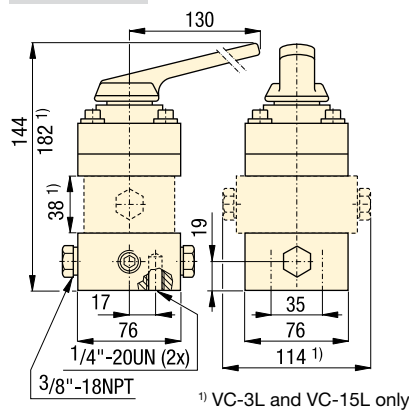
VM-2



VM-3, VM-3L



VC-3, VC-3L VC-15, VC-15L



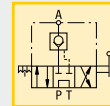
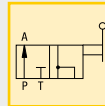
Pressure: 0 - 700 bar

Flow: 17 l/min max.

E Válvulas de control

F Distributeurs à 3 voies

D 3-Wege-Ventile



Options

Gauges and accessories

190 ▶



Hoses and couplers

192 ▶



Fittings

194 ▶



Important

Locking Valves

For applications that require positive load holding, most VM and VC valves are available with pilot operated check valve. This option provides hydraulic locking of the load until valve is shifted into retract position. To order this feature, place an "L" at the end of the model number.

Valving help

See Basic System Set-up and Valve information in our "Yellow Pages".

197 ▶

Product specifications

Model number	Pressure range bar	Used for cylinder	Schematic flowpath			kg
			Advance	Hold	Retract	
▼ Manual 3-way, 2-position (3/2)						
VM-2	0-700	Single-acting		-		2,2
▼ Manual 3-way, 3-position (3/3)						
VM-3	0-700	Single-acting				2,1
VC-3	0-700	Single-acting				2,9
▼ Manual 3-way, 3-position (3/3)						
VM-3L	0-700	Single-acting				3,9
VC-3L	0-700	Single-acting				4,7
VC-15	0-700	Single-acting				2,9
VC-15L	0-700	Single-acting				4,7